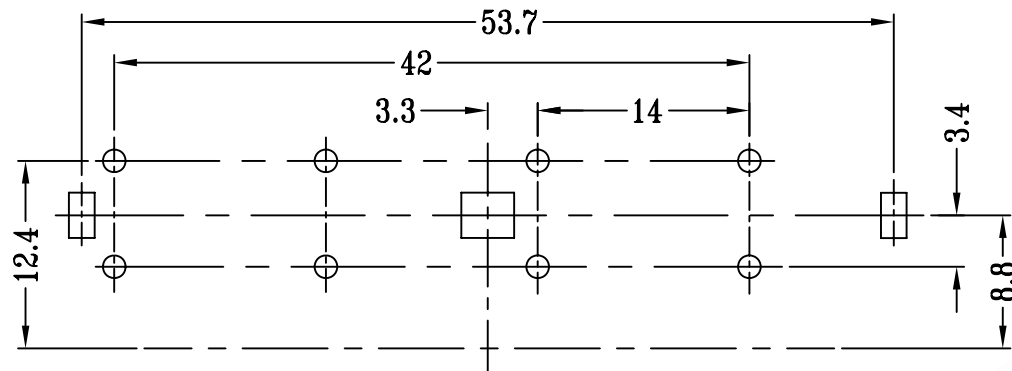
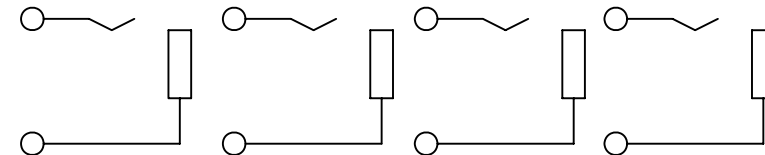


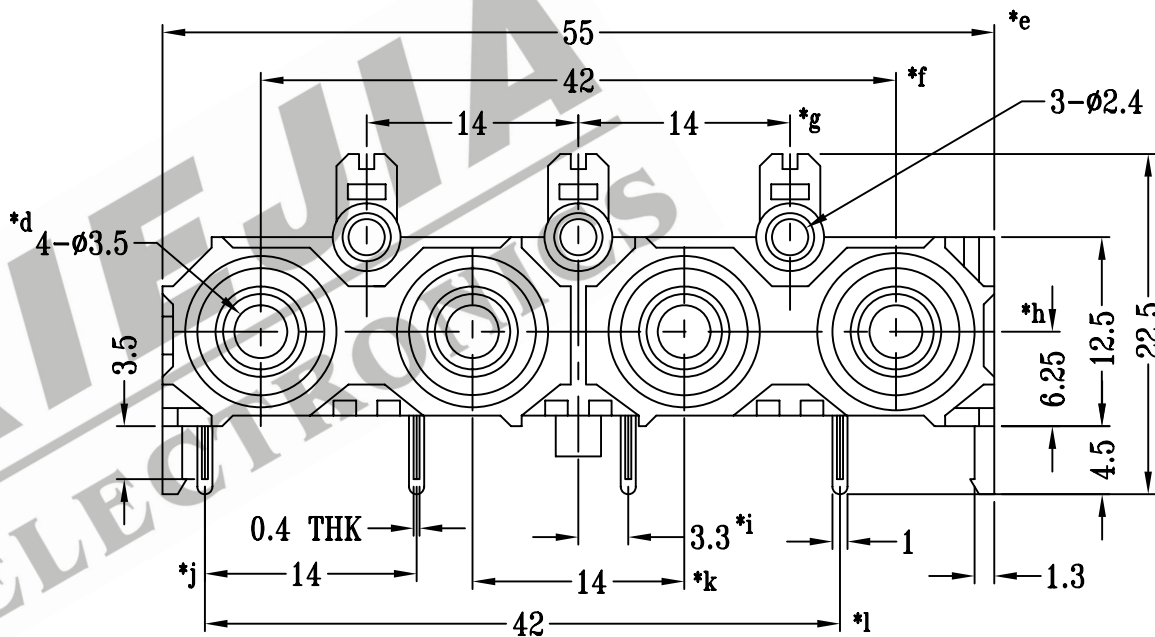
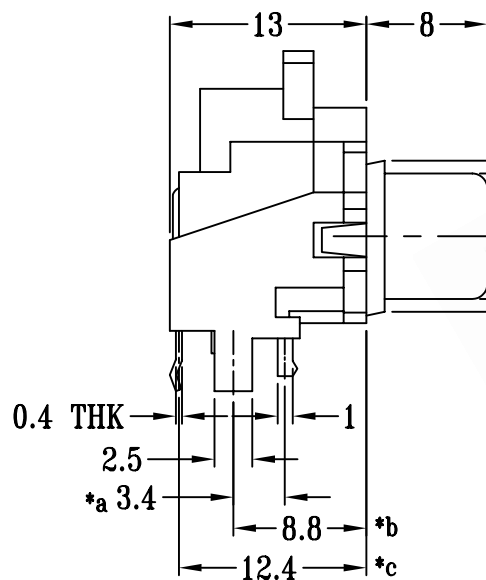
CAD FILE:



P.C.B LAYOUT



SCHEMATIC



注:带"*"表示关键尺寸(12个)

| | | | | | | | | | | | |
|-----|----------|-------------|------|---------------------------|-------------------|---|------|--------------------------|--------------------------|-----------|-----------|
| 8 | | | | | TOLERANCE | SHENZHEN XIEJIA ELECTRONICS CO.,LTD. | | | | | |
| 7 | | | | | UNLESS SPECIFIED | | | | | | |
| 6 | | | | | WITHIN: 1.5±0.1mm | ISSUE | DATE | DESCRIPTIONS OF REVISION | | APPD. | |
| 5 | WASHER | ABS | 4 | YELLOW | OVER: 1.5±0.2mm | TITLE: VERTICAL SLIDE SWITCH | | UNIT: mm | DRWG NO.: XJ-DR-RC434-00 | | |
| 4 | COVER | ABS | 2 | BLACK | | MODEL: RC-434 | | SCALE: 2:1 | DWN. | ZHOUYU | 2004-7-30 |
| 3 | SLEEVE | BRASS STRIP | 4 | Cr PLATED | | | | | CHK'D | FANGYING | 2004-7-30 |
| 2 | TERMINAL | PBS STRIP | 4 | Ag NPLATED OVER Ni PLATED | | | | | APPD. | KANGXINAN | 2004-7-30 |
| 1 | CASE | ABS | 1 | YELLOW | | ALL MATERIALS MUST BE COMPLIANT TO ROHS | | | | | |
| NO. | PARTS | MATERIALS | Q'TY | FINISH | | | | | | | |